

VAL BAS E4 C CD

VALUE Tap Range Lever Mono Basin Mixer Eco4 With Pop Up Waste With Ceramic Disc Valves Chrome



Features:

- Supplied with metal back nuts
- Supplied with 3" (76mm) metal lever hands

Product Certifications:



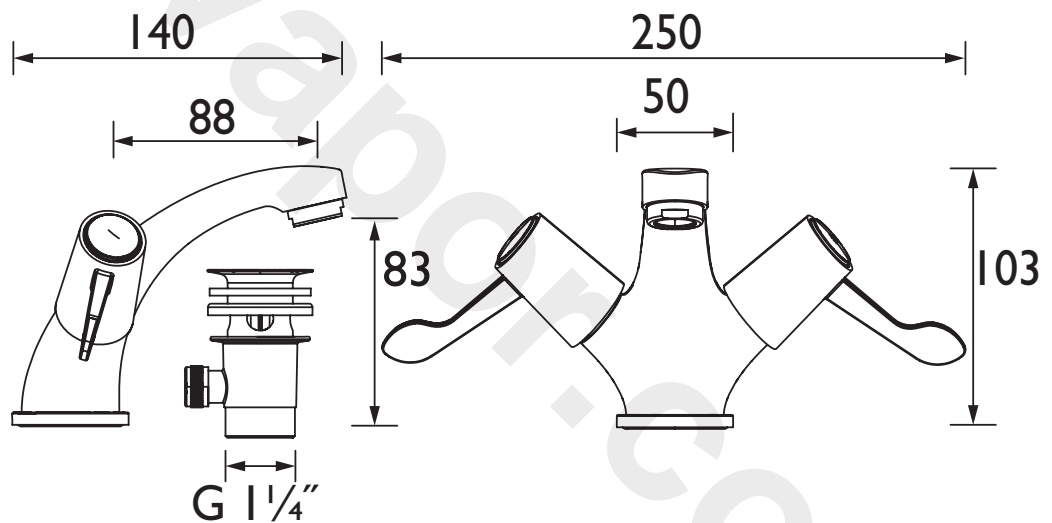
For more products, visit our website:
<http://www.bristan.com>



Specification

Product Type:	Bathroom Taps
Main Construction Material:	Brass
Mount Type:	Deck Mounted
Handle Type:	Lever Handles
Connection Inlet:	M10 x 400mm flexible connection pipes
Connection Outlet:	N/A
Number of Tap Holes:	1
Valve/Cartridge Type:	1/2" Ceramic Disc Valve
Plumbing System Requirements:	Suitable for all plumbing systems
Minimum Dynamic Pressure:	0.2 Bar
Maximum Dynamic Pressure:	5.0 Bar
Maximum Hot Water Temperature: °C	60
Maximum Static Pressure: (bar)	10
Flow Type:	SingleSingle Flow
Isolation Included:	No

Dimensions (measurements in mm)



Flow Rates (l/min)

System Pressure (bar)	0.2	0.5	1	2	3	5
VAL BAS C CD	7.1	10.1	15.7	22.4	27.5	35.5

TECHNICAL
DATA
SHEET



BRISTAN

D4